

## WASTE BIN WP147



298 x 898 x 220 mm

Capacity approx. 32 l

- Waste bin in robust, germ-reducing and easy-care stainless steel (AISI 304).
- All-stainless steel housing; all corners fully welded, visible surfaces satin finished and brushed. Further available surfaces: see below.
- Equipped with removable mesh basket. Capacity approx. 32 l. Accessible through front flap with fall protection.
- Installation dimensions: 300 x 900 x 110 mm
- Mounting: With four screws in wall opening through fixing holes in the side walls.
- Delivery includes fixing material.
- Weight, including single package: 11.5 kg

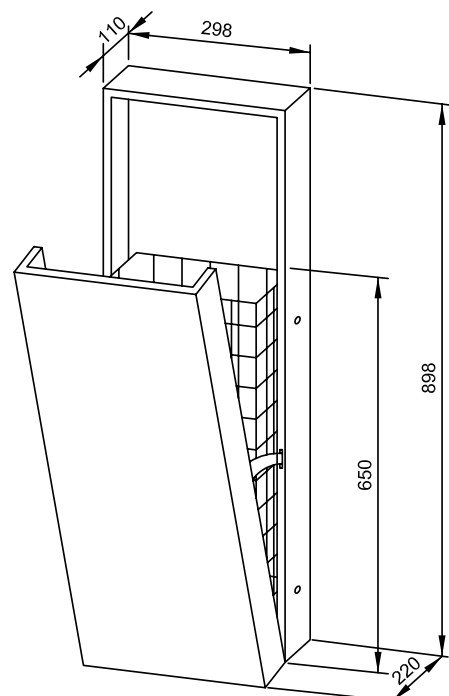


### Suggested text for specifications:

Waste bin in stainless steel (AISI 304) for flush mounting. All-stainless steel housing; all corners fully welded, visible surfaces satin finished and brushed. Equipped with removable mesh basket. Capacity approx. 32 l. Accessible through front flap with fall protection. Delivery includes fixing material.

Dimensions: 298 x 898 x 220 mm

Article No. WP147



Available surfaces	ID No.
satin finished (standard)	727 147
highly polished	731 147
(coloured) plastic powder-coating	728 147

### Ernst Wagner GmbH & Co. KG

Ernst-Abbe-Straße 21 · D-72770 Reutlingen · Tel.: +49712151539-0 · Fax: -20  
info@wagner-ewar.de · www.wagner-ewar.de

WAGNER  
EWAR